

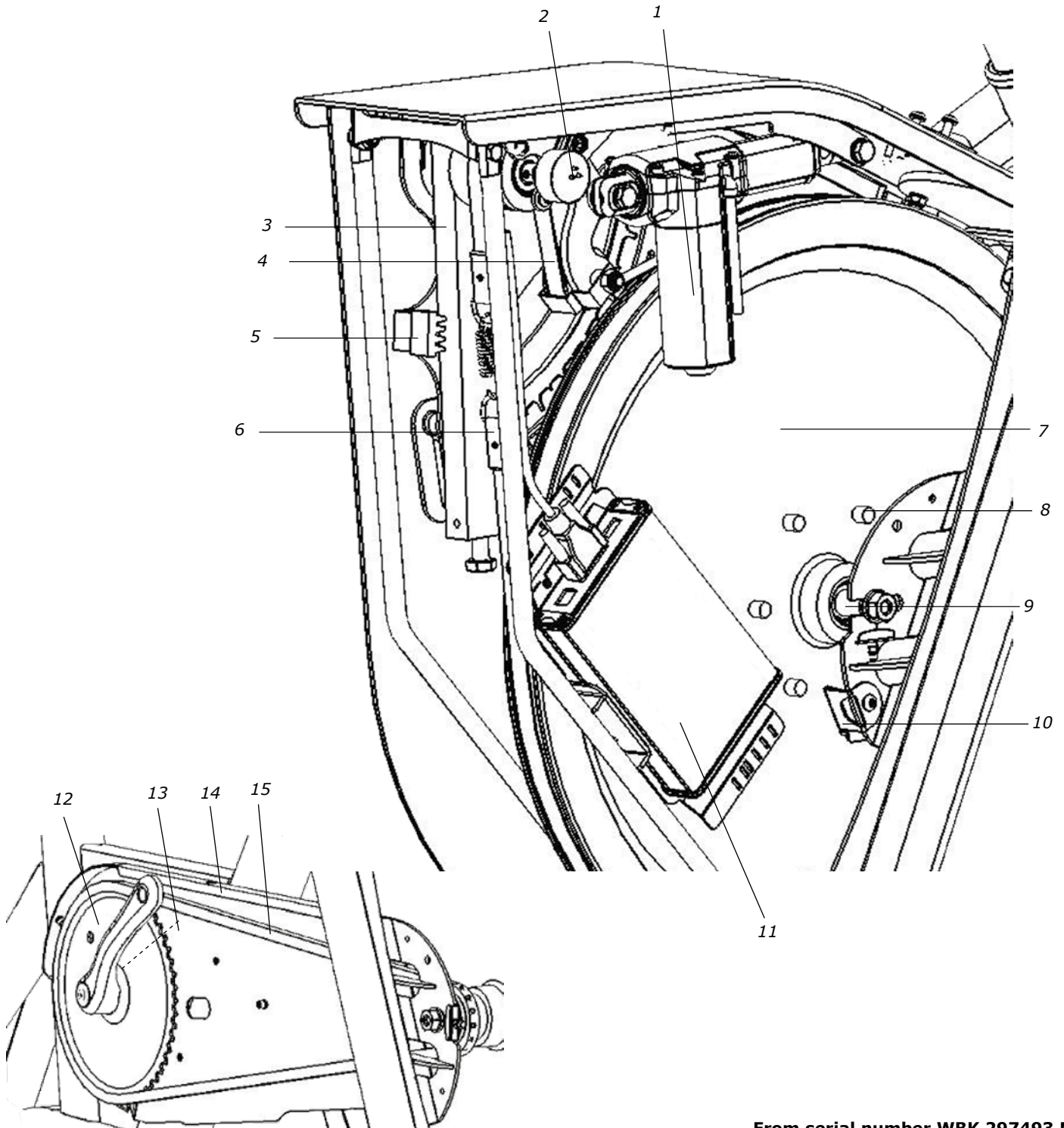


Fig: Chest belt Polar H7

1	9311-9312	Power cord for power adaptor, EU
1	9311-9313	Power cord for power adaptor, UK
1	9311-9314	Power cord for power adaptor, US
1	9311-9315	Power cord for power adaptor, AUS

From serial number WBK 297493 M

Pos.	Qty.	Art. No.	Description	Pos.	Qty.	Art. No.	Description
1	1	9300-147	Saddle, racer with adaptor		1	9310-29	Handlebar stem with clamp, complete
	1	C7100535	-Saddle Exeo Road, white	13	1	9311-74	-Locking handle black M10x80, complete
	1	9336-42	-Adaptor to race-/sport saddle	1	1	9310-281	-T-slot nut M10L
2	1	9310-28	Sledge, complete	14	1	9310-24	-Handlebar clamp
3	1	9311-24	-Locking handle M10x32, black	15	1	9310-92	-Handlebar stem
4	1	9310-30	Saddle post	16	1	C2305771-42	Reparto corse handlebar
5	2	9328-1315	Bushing with hole		1	C2600206	Handlebar tape Black CORK C260
6	2	9310-27	Piston locking, complete	17	1	C2205419-120	Reparto corse stem 120 mm Al
	2	9100-289	-Locking handle M10x50, blue, complete	18	1	9384-48	Power switch with LED
7	2	8321-75	Pedals SPD with clips and strap	19	1	9310-71	Lock to front cover
8	1	9301-3	Support tube rear, complete	20	1	9310-20	Front cover
	2	9328-51	-Plastic cap	21	1	9310-620	Side cover front, right, with recess for scale
	2	9328-26	-Rubber foot with screw M8	22	1	9310-630-1	Side cover front, left, with a hole for cables
9	1	9310-595	Side cover rear, right (outer chain guard)	23	1	9310-605	Side cover rear, left
10	1	9310-13	Scale 7 kp, complete	24	1	9000-103	-Pole screw M5x12, white
	1	9310-152	-Scale	25	1	9311-91	Monark novo display unit
	1	9000-103	-Pole screw M5x12, white	26	2	9312-12	Knurled screws
11	1	8243-7	Holder for cable	27	1	9310-12	Display holder, Monark novo
12	1	9301-4	Support tube front, complete		1	9312-31	Chest belt Polar H7
	2	9328-51	-Plastic cap		1	9311-9311-1	Power adaptor
	2	9328-26	-Rubber foot with screw M8		1	9000-211	Calibration weight 4 kg
	2	9000-38	-Transport wheel, complete				



From serial number WBK 297493 M

Pos.	Qty.	Art. No.	Description	Pos.	Qty.	Art. No.	Description	
1	1	9310-56	Motor package, complete	7	1	9300-31	Flywheel, complete with magnets	
	1	9310-55	-Motor	8	6	9374-16	-Magnets	
2	1	9311-67	Potentiometer with cable	9	1	9300-24	-Flywheel suspension, complete	
3	1	9310-45	Pendulum 7 kp, complete	10	1	9311-84	Sensor with bracket, complete	
	1	9310-43	-Pointer		11	1	9311-903	Monark novo control unit LC7
	1	9326-88	-Spring					
4	1	9100-26	Tension cylinder	12	1	9300-475	Crank set, 52T, 172,5 mm, Q 146 mm	
5	2	9300-99	Stop	13	1	9300-480	Cartridge bottom bracket 68/110 mm	
6	1	9310-94	Brake belt, complete	14	1	9312-26	Inner chain guard with nuts	
				15		9310-118	Chain 9300, 129 L, with chain lock	