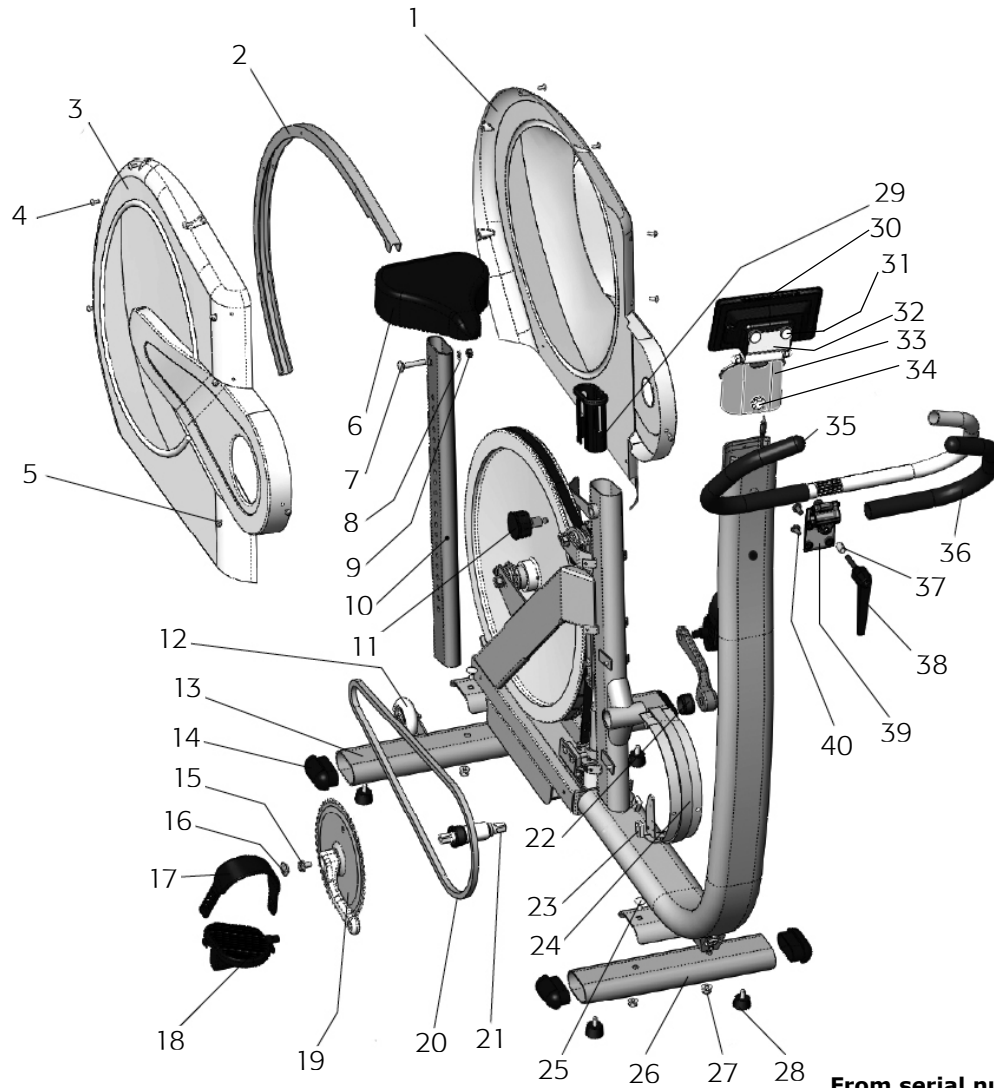


From serial number WBK 297493 M

Pos.	Qty.	Art. No.	Description	Pos.	Qty.	Art. No.	Description
1	1	9300-3	Flywheel, complete	15	1	9328-62	Stop
2		9300-24	-Flywheel suspension, complete	16	1	9338-19	Stay
3	1	9328-85	Brake belt, complete	17	1	9328-90	Adapter
4	1	9328-94	- Hook for calibration weight	18	1	9310-55	Motor
5	2	9300-99	Pendulum stop, plastic	19	1	9328-96	Bracket for servo
6	1	9328-33	Adaptor M20/M16	20	1	9384-44	Power switch with LED
7	1	9328-91	Hook control	21	1	9338-65	Control unit box
8	1	9311-66	Pendulum, complete	22	1	9311-901	Monark novo Control Unit 939
9	1	9338-43	- Brake belt release	23	1	9338-66	Control unit cover
10	1	9328-93	-Holder pot. adjustment		1	9311-9311-1	Power adaptor
11	1	9311-67	-Potentiometer with cable			9311-9312	Power cable, EU
12	1	9328-803	-Plate with kp-scale			9311-9313	Power cable, UK
13	1	9000-105	-Screw M5x10			9311-9314	Power cable, US
14	1	9328-29	Scale lock, complete			9311-9315	Power cable, AUS



From serial number WBK 297493 M

Pos.	Qty.	Art. No.	Description	Pos.	Qty.	Art. No.	Description
1	1	9338-59	Frame cover, left	22	1	8966-176	Support casing for BB-bracket
2	1	9328-4	Aluminium profile	23	1	9326-162	Sensor black, w. 100 mm cable
3	1	9338-60	Frame cover, right	24	1	9309-3	Joint list
4	9	5675-9	Screw M5x6,5	25	4	9300-12	Screw M8x16
5	21	5673-9	Screw M5x12	26	1	9328-5	Support tube, front
6	1	4994-5	Saddle	27	4	5845	Locking nut M8
7	1	5605-1	Screw M8x46	28	4	9328-26	Rubber foot
8	1	5864	Washer	29	1	9328-131	Bushing for saddle post
9	1	5775	Nut	30	1	9312-4	Monark novo Display Unit
10	1	9328-130	Saddle post	31	2	9312-12	-Knurled screws display unit
11	1	9328-132	Locking knob	32	1	9311-99	Display unit display holder
12	1	9328-37	Transport wheel compl. (pair)	33	1	9312-11	Display unit lower display holder
13	1	9328-6	Support tube, rear	34	1	9000-105	Screw M5x10
14	4	9328-51	Plastic cap	35	1	9328-9	Handlebar, complete
15	2	8523-115	Screw M8x1x20	36	1	9328-72	Handgrip, blue (pair)
16	2	8523-2	Dust cover for crank	37	1	9326-89	Distance
17	1	9300-207	Foot straps (pair)	38	1	9100-280	Lever, complete
18	1	9300-220	Pedal (pair)	39	1	9328-8	Handlebar clamp
19	1	9300-430	Crank set	40	4	9337-38	Screw M8x16
20	1	9326-55	Chain, 98 L with chain lock			9000-211	Calibration weight, 4 kg
21	1	8966-175	BB cartridge bearing			9312-31	Chest belt Polar H7