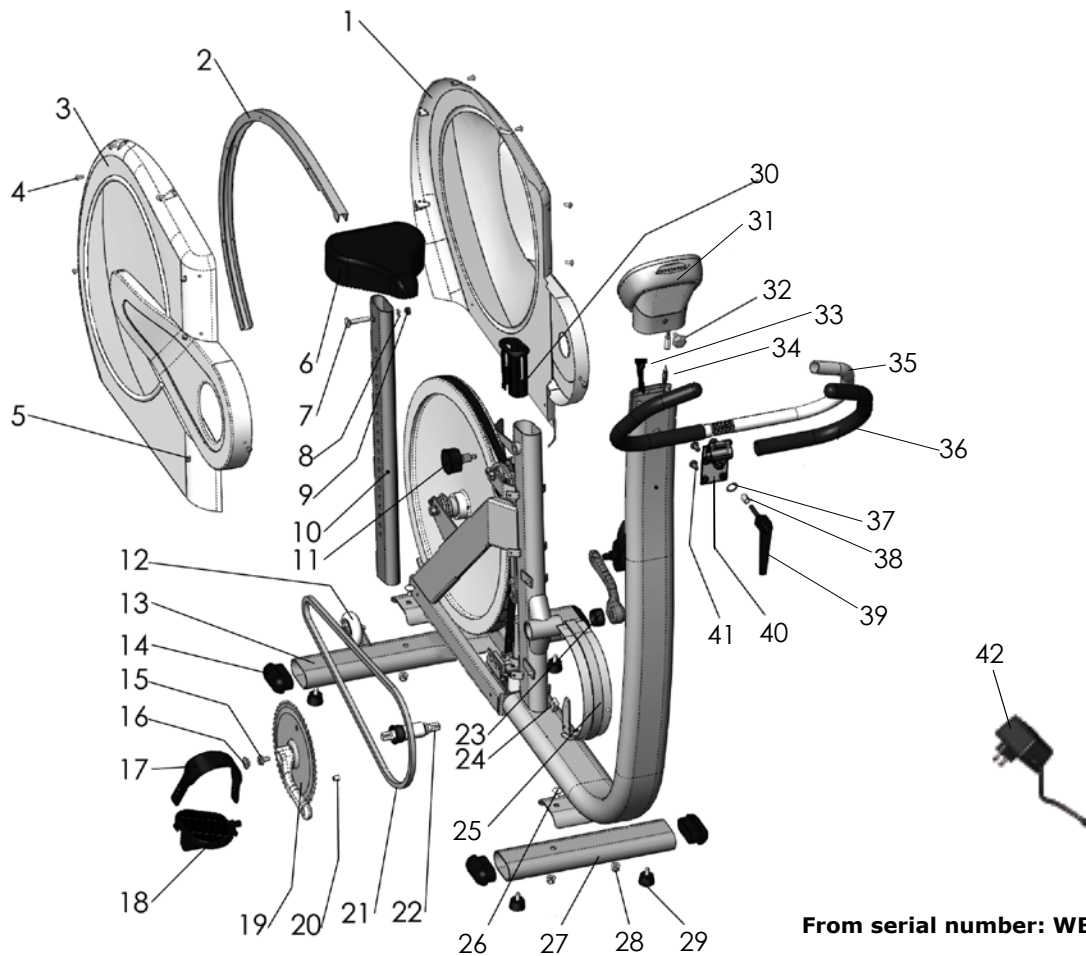


From serial number: WBK 295716 L

Pos.	Qty.	Art. No.	Description	Pos.	Qty.	Art. No.	Description
1	1	9300-3	Flywheel, complete	14	1	9328-29	Scale lock, complete
2		9300-24	-Flywheel suspension, complete	15	1	9328-62	Stop
3	1	9328-85	Brake belt, complete	16	1	9338-19	Stay
4	1	9328-94	- Hook for calibration weight	17	1	9328-92	Adapter
5	2	9300-99	Pendulum stop, plastic	18	1	9310-55	Motor
6	1	9328-33	Adaptor M20/M16	19	1	9328-96	Bracket for servo
7	1	9328-91	Hook control	20	1	9328-1	Frame
8	1	9311-66	Pendulum, complete	1	1	9000-211	Calibration weight, 4 kg
9	1	9338-43	- Brake belt release				
10	1	9328-93	-Holder pot. adjustment				
11	1	9311-67	-Potentiometer with cable				
12	1	9328-803	-Plate with kp-scale				
13	1	9000-105	-Screw M5x10				



Pos.	Qty.	Art. No.	Description	Pos.	Qty.	Art. No.	Description
1	1	9328-39	Frame cover, left	25	1	9309-3	Joint list
2	1	9328-4	Aluminium profile	26	4	9300-12	Screw M8x16
3	1	9328-38	Frame cover, right	27	1	9328-5	Support tube, front
4	9	5675-9	Screw M5x6,5	28	4	5845	Locking nut M8
5	21	5673-9	Screw M5x12	29	4	9328-26	Rubber foot
6	1	4994-5	Saddle	30	1	9328-131	Bushing f. saddle post
7	1	5605-1	Screw M8x46	31	1	9311-162	Display
8	1	5864	Washer	32	1	9000-105	Screw M5x10
9	1	5775	Nut	33	1	9328-196	Multicable 1850 mm
10	1	9328-135	Saddle post	34	1	9328-188	Power cable 2200 mm
11	1	9328-132	Locking knob	1	1	9328-78	Handlebar, complete with handles, clamp and locking handle
12	1	9328-37	Transport wheel compl. (pair)	35	1	9328-9	-Handlebar
13	1	9328-6	Support tube, rear	36	1	9328-72	-Handgrip, blue (pair)
14	4	9328-51	Plastic cap	37	1	5864	-Washer
15	2	8523-115	Screw M8x1x20	38	1	9127-37	-Spacer
16	2	8523-2	Dust cover for crank	39	1	9100-280	-Locking handle
17	1	9300-207	Foot straps (pair)	40	1	9328-2	-Handlebar clamp
18	1	9300-220	Pedal (pair)	41	4	9337-38	-Screw M8x16
19	1	9300-430	Steel crank set, complete	42	1	9328-183	Power adaptor
20	1	9371-16	-Magnet	1	1	9328-192	-Plug EUR
21	1	9326-55	Chain, 98 L with chain lock	1	1	9338-36	USB cable 3 m
22	1	8966-175	BB cartridge bearing	1	1	9328-150	Screw set
23	1	8966-176	Support casing for BB-bracket	1	1	9311-75	Chest belt, Garmin ANT+
24	1	9311-161	Sensor with cable 150 mm				