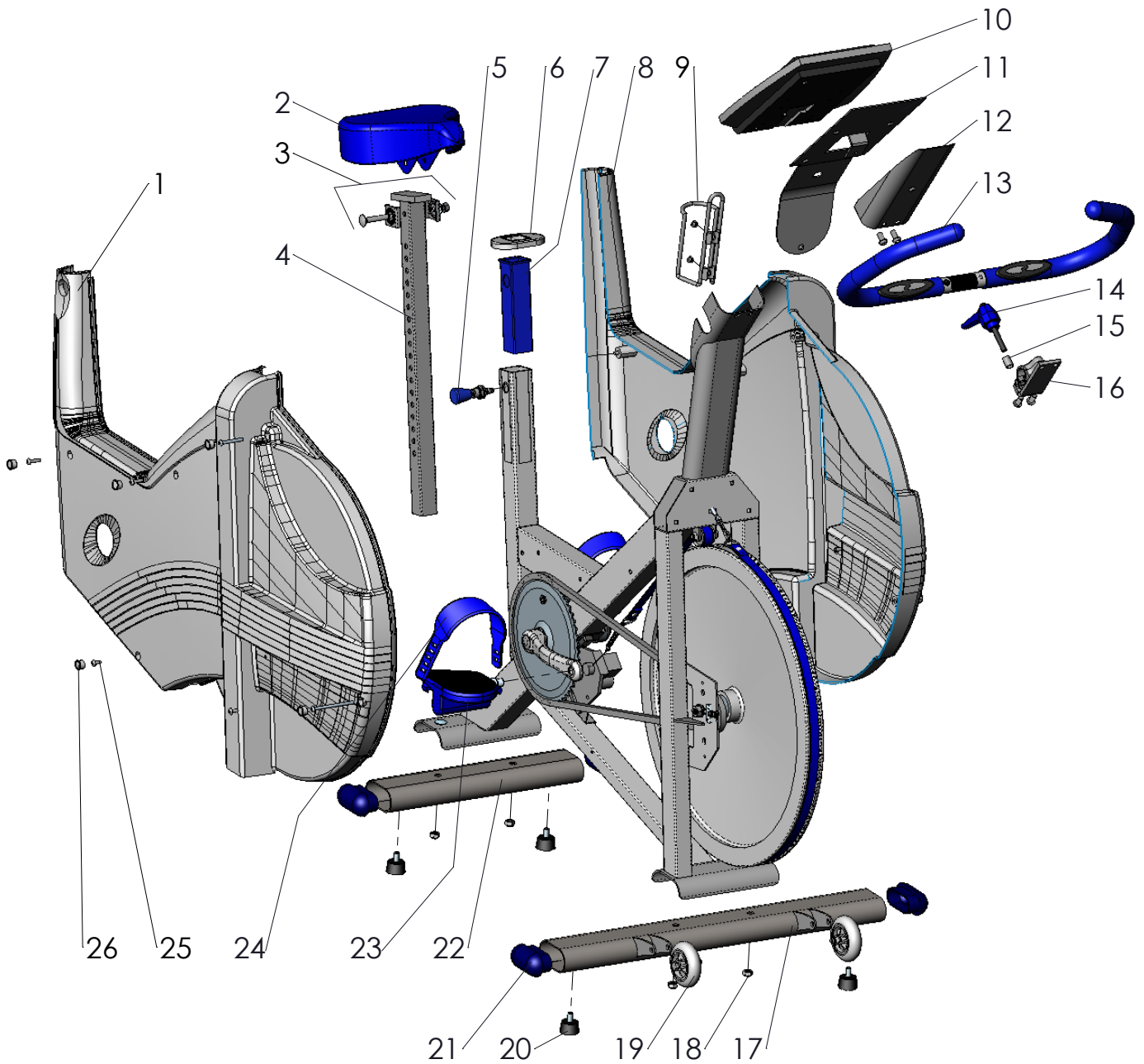


Pos.	Ant.	Art.nr.	Beskrivning	Pos.	Ant.	Art.nr.	Beskrivning
1	1	9300-3	Flywheel	18	3	5843	Locking nut M6
2	1	9300-24	Wheel suspension complete set	19	1	9327-39	Motor wire
3	1	9300-18	-Chain adjuster (pair)	20	1	9328-172	Motor
4	3	19001-6	-Sprocket	21	3	14323	Screw M6x16
5	1	9106-13	-Connection	22	1	9328-178	Adapter
6	1	9000-12	-Bearing 6001-2z	23	1	9328-177	Cabel to adapter
7	1	9106-14	-Axle	24	1	9326-164	Magnet
8	1	9300-17	-Bush, 23mm	25	2	8523-2	Dust cover for crank
9	1	9306-41	Brake belt, complete	26	2	8523-115	Screw M8x20
10	1	9306-40	-Brake belt	27	1	9300-430	Steel crank set, complete
11	1	9327-53	-Spring	28	1	1079-116	Chain 116 l
12	1	14358	Screw M8x40	29	1	8966-175	BB cartridge bearing
13	1	9328-43	Roller	30	1	9326-166	Sensor holder
14	1	9327-75	Roller bracket	31	1	9328-176	Sensor with 300 mm cabel
15	1	5844	Locking nut M8	32	1	8966-176	Support casing for BB-bracket
16	1	9328-175	Cabel 1700mm to computer	33	1	9302-5	Frame
17	1	9327-42	Motor attachment				



Pos.	Qty.	Art.No.	Description	Pos.	Qty.	Art.No.	Description
1	1	9327-34	Frame cover, right	14	1	9100-280	Lever M8, complete
2	1	4994-5	Saddle complete	15	1	9326-89	Spacer 17 mm
3	1	9300-114	Saddle bracket complete	16	1	9327-69	Handlebar clamp, complete
4	1	9300-138	Saddle post	17	1	9301-17	Support tube, long
5	1	9305-118	Locking pin complete	18	4	5845	Locking nut M8
6	1	9300-123	Top cover	19	1	9000-37	Transport wheel compl. (pair)
7	1	9300-115-1	Bushing f. saddle post	20	4	9328-26	Rubber foot
8	1	9327-35	Frame cover, left	21	4	9328-51	Plastic cap, blue
9	1	8116-7	Bottle holder	22	1	9301-18	Support tube, short
10	1	9328-171	Computer	23	1	9300-220	Pedal (pair)
11	1	9327-73	Computer plate	24	1	9300-207	Footstraps (pair)
12	1	9327-74	Cover	25	1	9327-150	Screw set
13	1	9327-78	Handlebar, complete	26	10	9306-12	Plastic cup, white