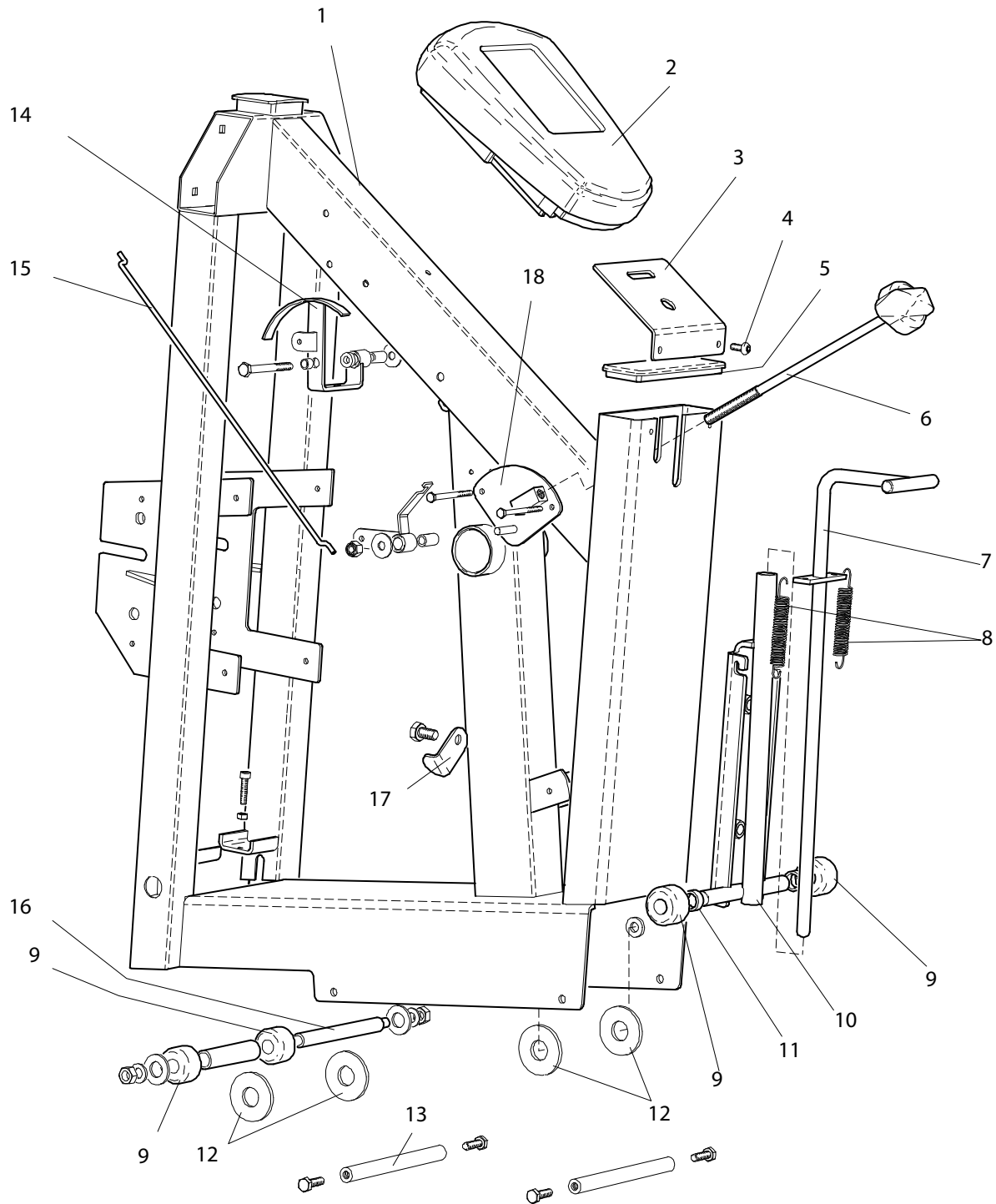
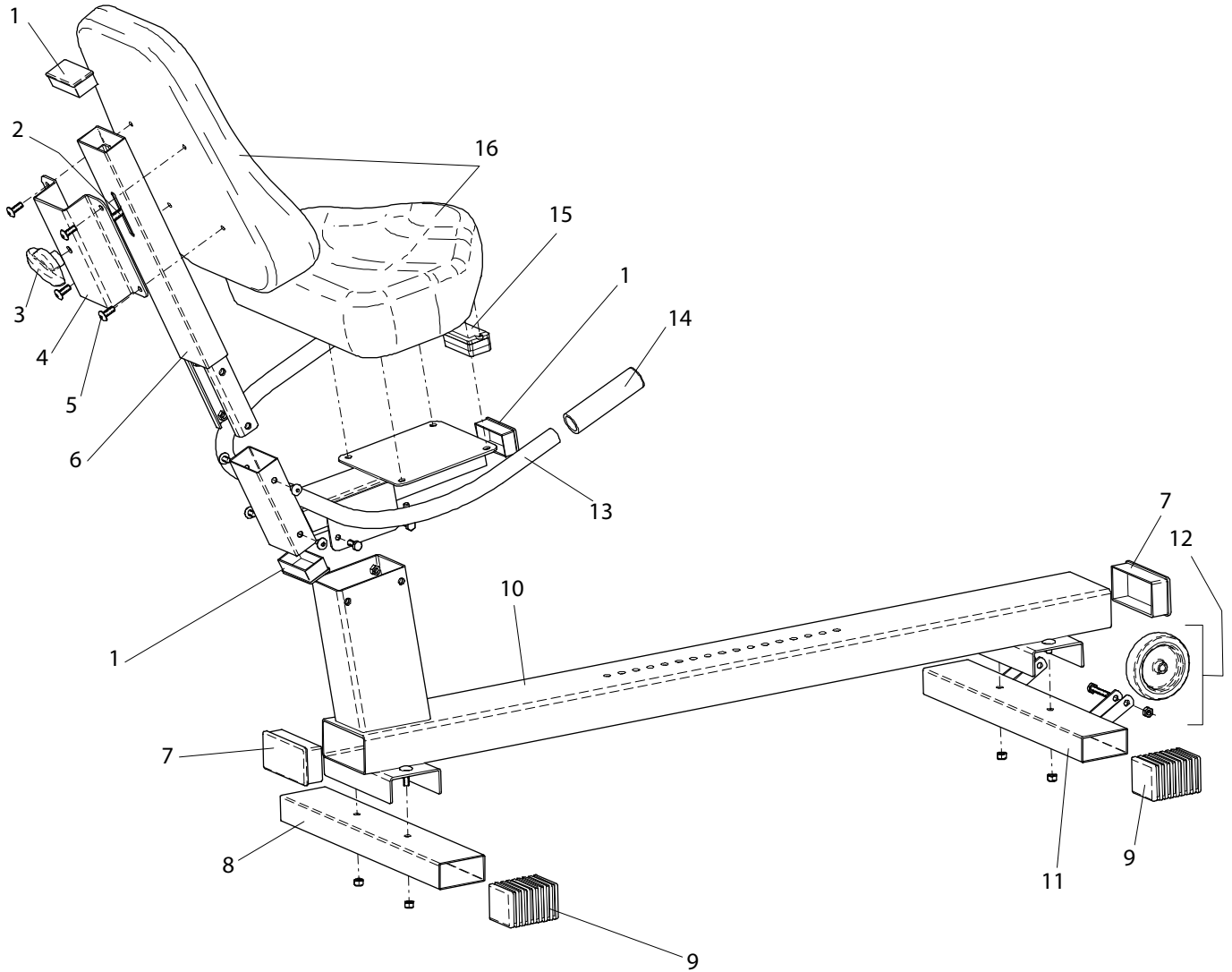


Pos.	Qty.	Art. No.	Description	Pos.	Qty.	Art. No.	Description
1	10	9306-12	Plastic cup	16	1	5842-9	Locking nut, M6
2	5	5673-9	Screw	17	1	5861-9	Washer
3	1	9337-51	Frame cover, right	18	1		Spacer 9 mm
4	2	8523-2	Dust cover	19	2	9000-112	Chain adjuster, pair
5	2	8523-115	Screw	20	1	9106-13	Sprocket, 14 t
6	1	9300-401	Crank set complete	21	2	19001-6	Bearing 6001-2z
7	1	9326-164	Magnet	22	1	9000-15	Låsring, SgH 23
8	1	9300-220	Pedal (pair)	23	1	9300-17	Spacer
	1	9300-207	Footstraps (pair)	24	2	5799	Nut
9	1	1079-88	Chain	25	1	9000-17	Spacer
10	1	8966-177	BB cartridge bearing	26	1	9106-14	Connection
11	2	5842-9	Nut	27	1	9300-18	Axle
12	2	5861-9	Washer, BRB5	28	1	9337-52	Frame cover, left
13	1	9337-3	Frame	29	1	9300-3	Flywheel, complete
14	1	9326-162	Sensor with cable	30	1	9337-35	Brake belt, complete
	1	9326-263	Extension cable	31	1	9306-31	Spring
15	1	9326-166	Sensor holder				



Pos.	Qty.	Art. No.	Description	Pos.	Qty.	Art. No.	Description
1	1	9337-3	Frame	11	2	9010-102	Self-locking cap
2	1	9337-180	Digital meter	12	4	9337-16	Washer
3	1	9337-7	Holder for Digital meter	13	2	9337-24	Axle
4	2	9300-12	Screw	14	1	9337-31	Tension lever, complete
5	1	9337-22	Plastic cap	15	1	9337-12	Stay
6	1	9300-25	Locking screw, complete	16	1	9337-23	Axle
7	1	9337-13	Lever	17	1	9337-36	Washer
8	2	9100-20	Spring	18	1	9306-27	Tension plate
9	4	9337-15	Bearing		1	9337-550	Decal set
10	1	9337-4	Holder		1	9337-150	Screw, washer and nut set



Pos.	Qty.	Art. No.	Description	Pos.	Qty.	Art. No.	Description
1	3	9300-10	Plastic cap	9	4	9300-7	Plastic cap, blue
2	1	9337-8	Lock washer	10	1	9337-5	Frame
3	1	9337-122	Locking screw	11	1	9300-5	Support tube, front
4	1	9337-6	Backsupport	12	2	9000-29	Transport wheel, complete
5	1	9337-38	Screw	13	1	9337-1	Hand holder
6	1	9337-2	Saddle post	14	2	9337-181	Sensor handle
7	2	9337-21	Plastic cap	15	1	9337-182	Pulse transmitter
8	1	9300-6	Support tube, rear	16	1	4997-5	Saddle