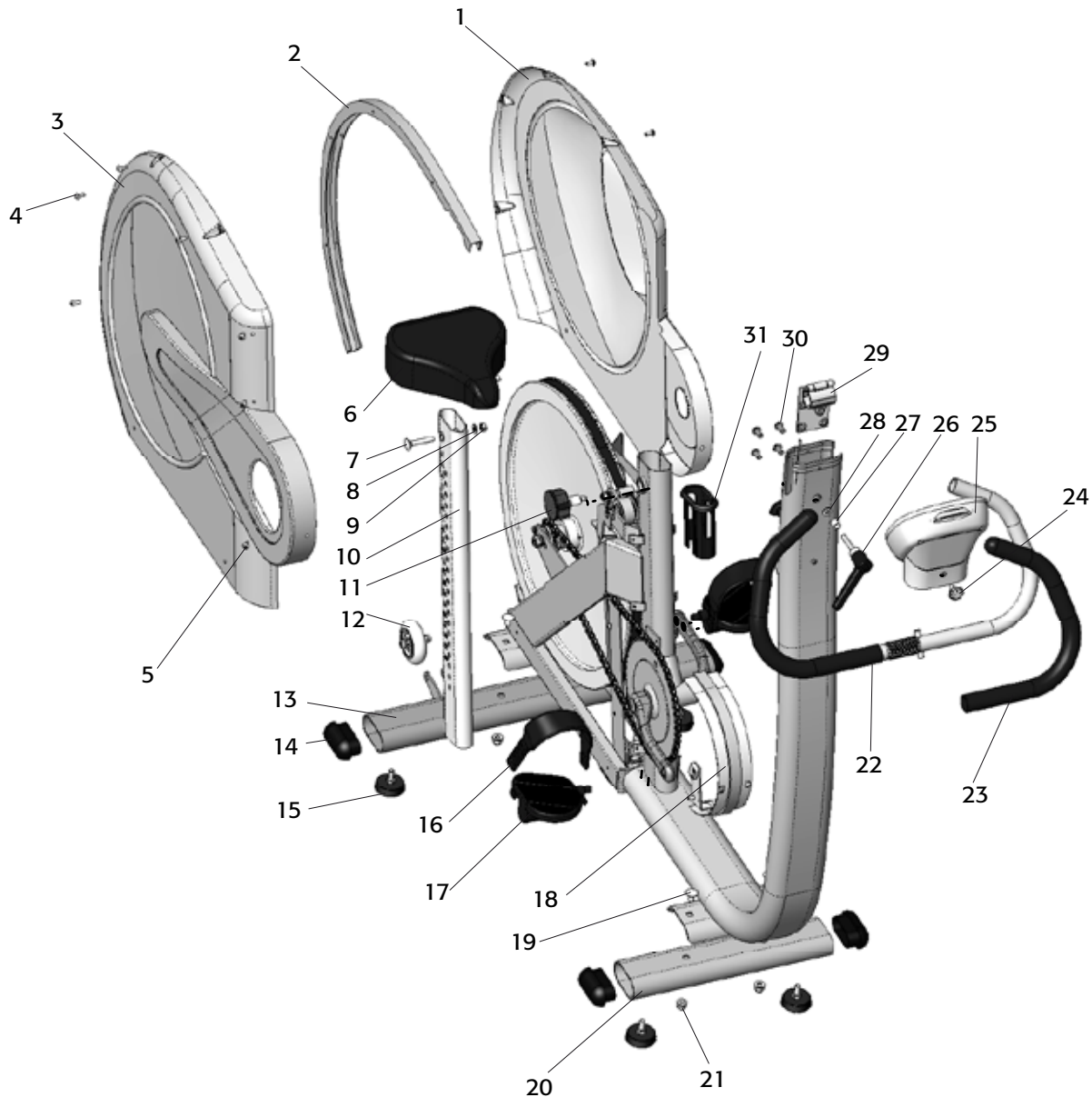


From serial No. WBK 271946

Pos.	Qty.	Art. No.	Description	Pos.	Qty.	Art. No.	Description
1	1	9300-3	Flywheel	20	1	9328-29	Scale lock
2	1	9328-64	Brake belt, complete	21	2	9300-99	Plastic stop
3	1	9300-24	Wheel suspension, complete set	22	1	9328-62	Stop
4	1	9000-12	-Chain adjuster (pair)	23	1	9309-80	Control cover
5	1	9106-13	-Sprocket	24	1	9328-162	Crank sensor w. 1750 mm cable
6	1	9106-14	-Connection	25	1	5698	Screw M5x55
7	3	19001-6	-Bearing 6001-2z	26	1	9328-73	Tension device, complete
8	1	9300-18	-Axle	27	1	9328-300	Tension cable, complete
9	1	9300-17	-Bush, 23 mm	28	1	9328-1	Frame
10	1	5799	Nut	29	1	8966-176	Support casing for BB-bracket
11	1	5881	Washer	30	1	9371-16	Magnet
12	1	9328-420	Level with ball bearing	31	2	8523-2	Dust cover for crank
13	1	9328-801	Axle with bearings, complete	32	2	8523-115	Screw M8x1x20
14	1	9126-77	Joint clamp	33	1	9300-430	Steel crank set, complete
15	1	5675-9	Screw M5x6,5	34	1	9326-55	Chain, 98 L
16	1	9328-8800	Weight lever with bearings	35	1	8966-175	BB cartridge bearing
17	1	9328-90	Swing axle, complete	36	1	9328-58	Tension stay
18	1	9328-802	Plate with watt scale	37	1	9328-33	Adapter M20/M16
19	1	9000-105	Screw, M5x10				



From serial No. WBK 271946

Pos.	Qty.	Art. No.	Description	Pos.	Qty.	Art. No.	Description
1	1	9328-59	Frame cover, left	19	4	9300-12	Screw M8x16
2	1	9328-4	Aluminium profile	20	1	9328-5	Support tube, front
3	1	9328-60	Frame cover, right	21	4	5845	Locking nut
4	9	5675-9	Screw M5x6,5	22	1	9328-9	Handlebar
5	21	5673-9	Screw M5x12	23	1	9328-72	-Handgrip (pair)
6	1	4994-50	Saddle	24	1	9000-105	Screw M5x10
7	1	5605-1	Screw M8x46	25	1	9328-160	Digital meter, complete
8	1	5864	Washer	26	1	9100-280	Lever, complete
9	1	5844	Locking nut	27	1	9127-37	Spacer 13 mm
10	1	9328-130	Saddle post	28	1	5864	Washer
11	1	9328-132	Locking knob	29	1	9328-2	Handlebar clamp
12	1	9328-37	Transport wheel, compl. (pair)	30	4	9337-38	Screw M8x16
13	1	9328-6	Support tube, rear	31	1	9328-131	Bushing for saddle post
14	4	9328-51	Plastic cap, blue		1	9328-150	Screw set
15	4	9328-26	Rubber foot		1	9339-98	Chestbelt
16	1	9300-207	Foot straps (pair)		1	9328-550	Decal set
17	1	9300-220	Pedal (pair)		1	9000-211	Calibration weight, 4 kgs
18	1	9309-3	Holder for chain cover		1	9328-78	Handlebar, wide splines, compl.